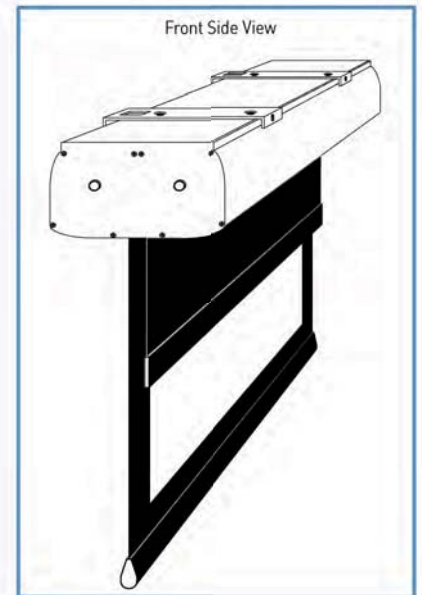
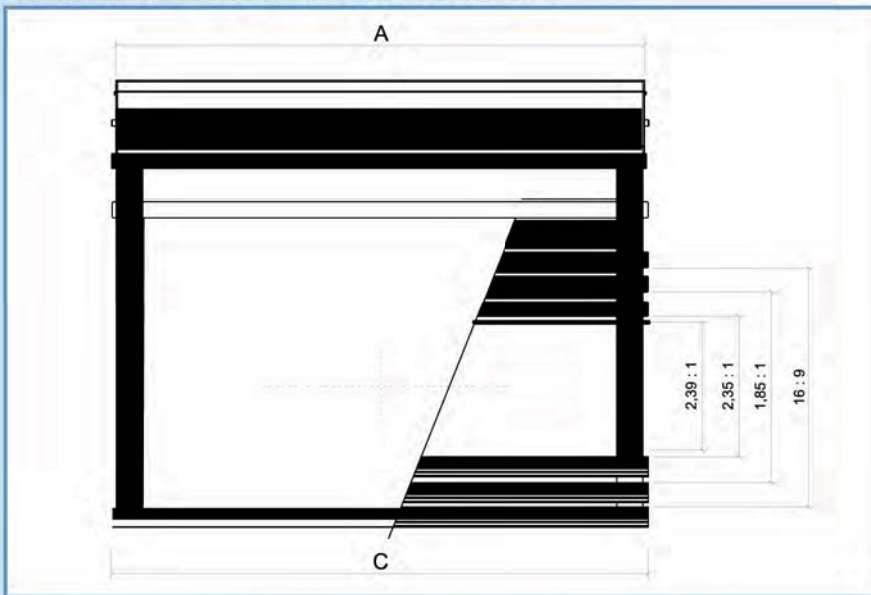
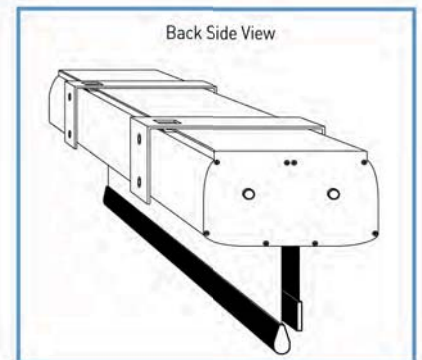
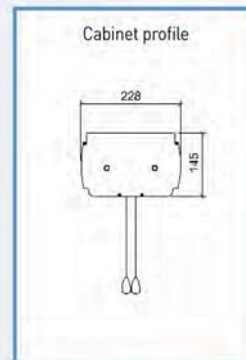


available from 160 cm. to 290 cm. width

The measures in the drawings below are expressed in millimeters



- Housing is entirely made of aluminium and painted with white epoxy powders (RAL 9010)
- Aluminium counterbar and side plates painted with black epoxy powders (RAL 9005)
- Housing dimensions: 228x145 (WxH in mm.)
- Radio Frequency remote control and wall or ceiling brackets are included
- Painted side borders width 5 cm.
- All the screens above mentioned will be SEAMLESS



Warranty: 5 years on the motor – 24 months on the other components

16:9 ratio Viewing area (WxH)	1.85:1 ratio Viewing area (WxH)	2.35:1 ratio Viewing area (WxH)	2.39:1 ratio Viewing area (WxH)	Maximum dimensions	Front projection fabrics	Approx. net weight
160x 90	160x86	160x68	160x67	A cm. 181 C cm. 176	Mattplanar 1.0	Kg. 24
180x101	180x97	180x77	180x75	A cm. 201 C cm. 196		Kg. 26
200x113	200x108	200x85	200x84	A cm. 221 C cm. 216		Kg. 28
220x124	220x119	220x94	220x92	A cm. 241 C cm. 236		Kg. 30,5
250x141	250x135	250x106	250x105	A cm. 271 C cm. 266		Kg. 33
270x152	270x146	270x115	270x113	A cm. 291 C cm. 286		Kg. 36
290x163	290x157	290x123	290x121	A cm. 311 C cm. 306		Kg. 39